

PC702

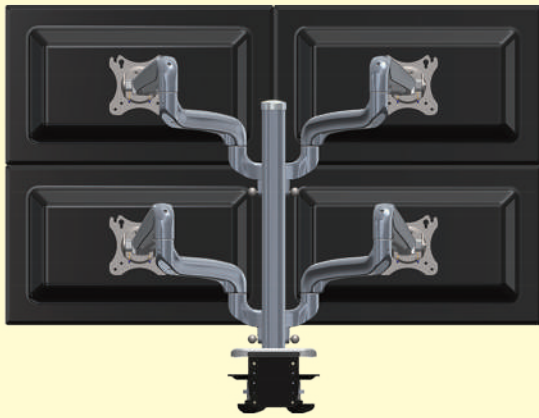
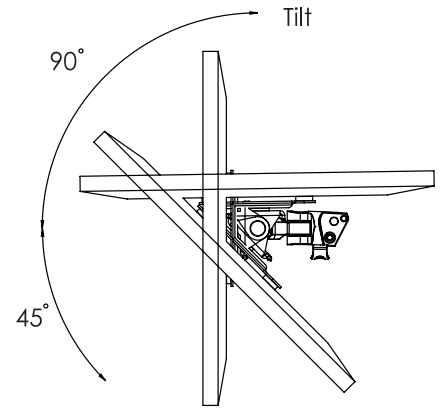
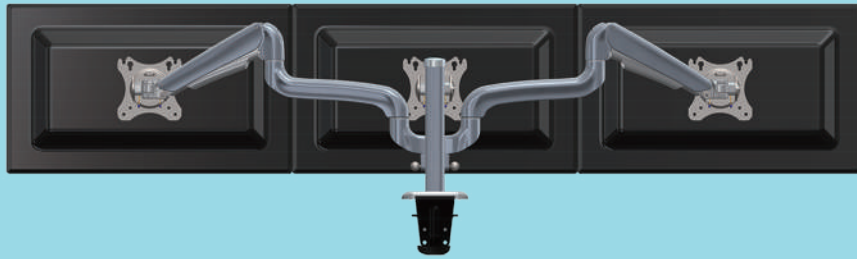
**1 ARM, 4 WAYS
MULTIPLE COMBINATIONS**

**1 MOUNT OFFERS 6 ARM
CONNECTIONS OR MORE**



SERIES	VESA	75X75 to 100x100		Pan	180°
	Screen Size	≤ 24 / EA		Rotation	360°
PC702	Weight Load	1.5-7.0 kgs	per monitor	Tilt	+90° - -45°
		3.3-15.4 lbs		Worktop Thickness	5-55 mm / 0.2"-2.2"
	Mechanism	Gas Spring		Base Options	Standard (1-3 screens) Heavy Load (4-6 screens)

3

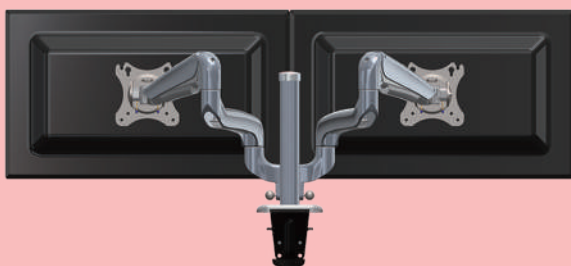
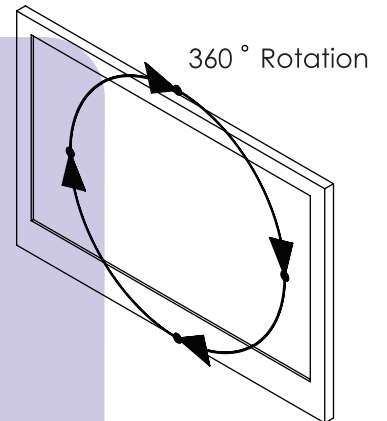
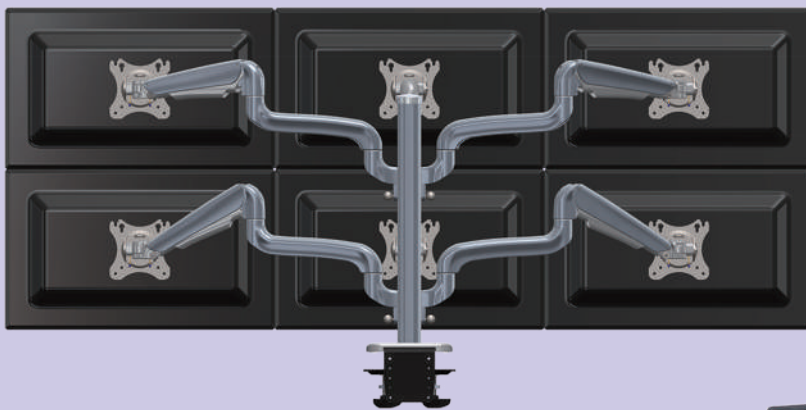


4

» **1 support** makes 4-direction installation possible.

» **1 mount base** gives multiple supports so as to freely arrange monitor settings as desired.

6



2

